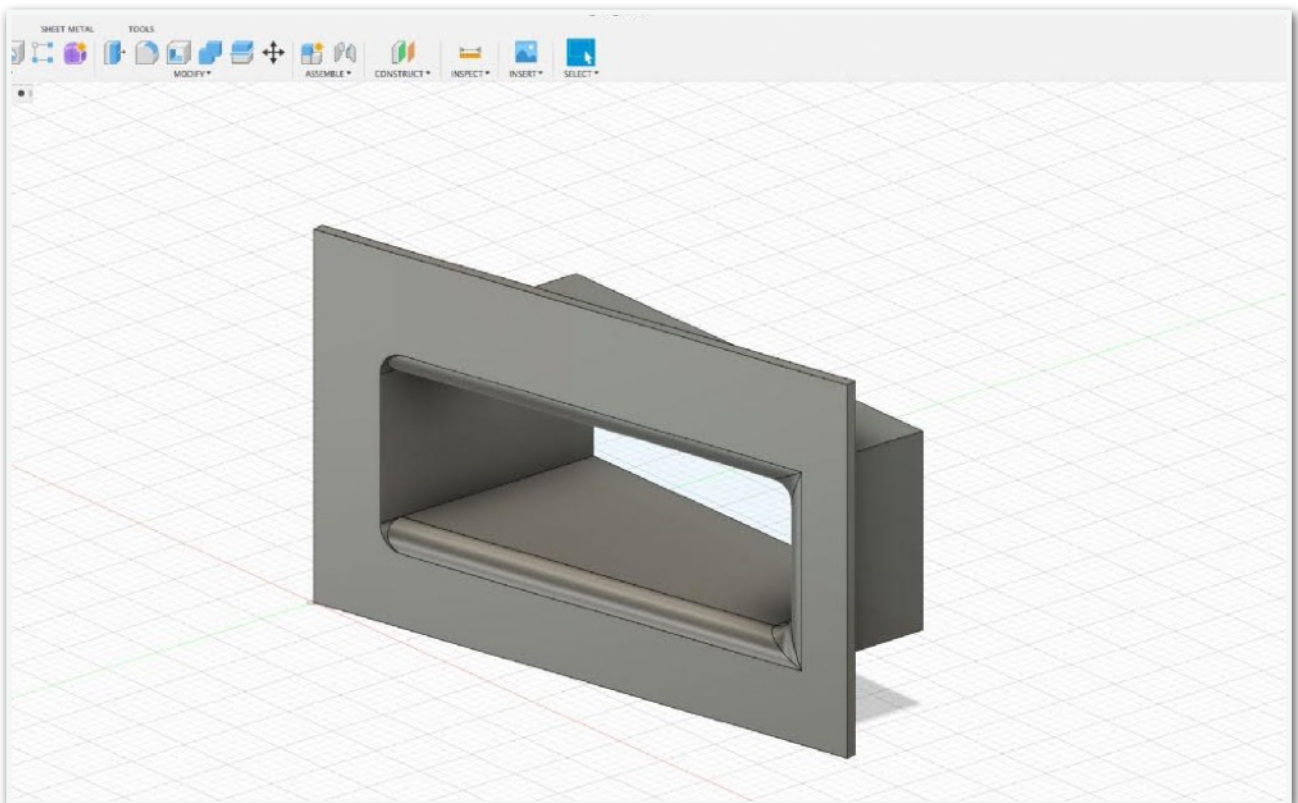
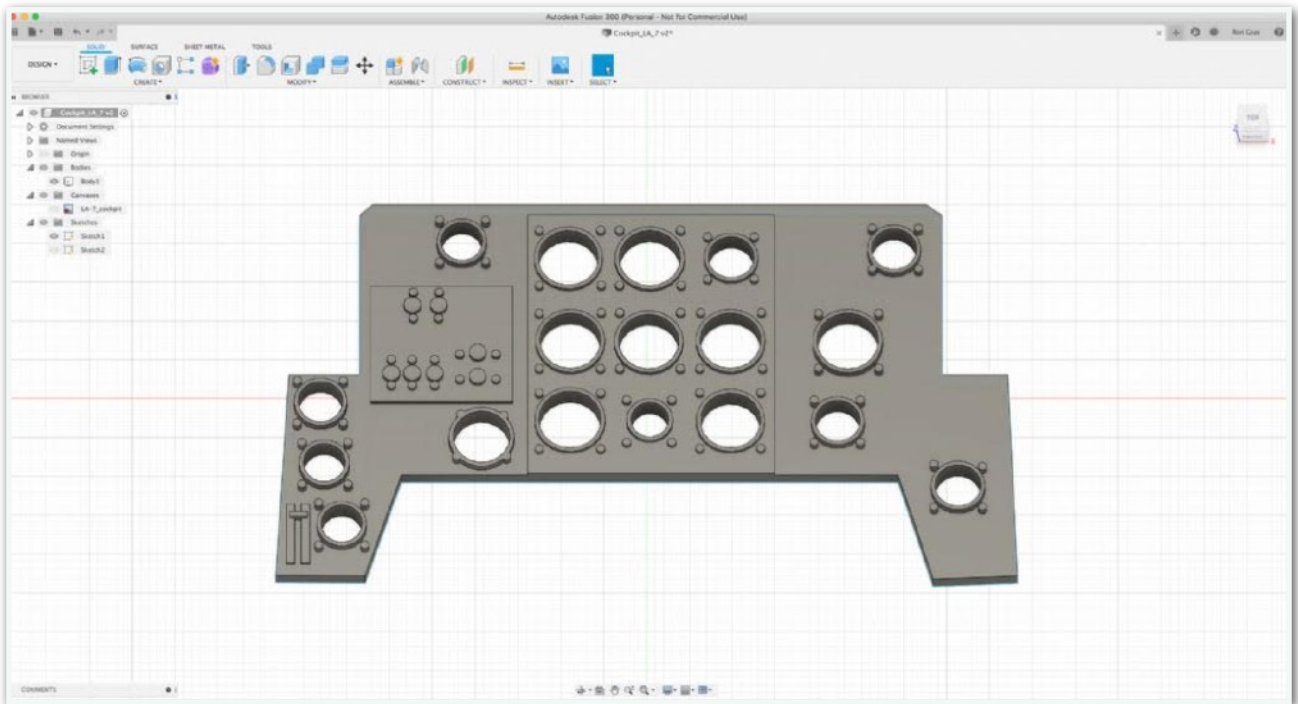


Ron Gray, Lavochkin LA-7

Resurrection, 12

I started playing around and designing a 3D printed dash and LE air intake ducts



The dash. I printed off the panel, stuck it to the back of the 3D printed dash then 'glazed' the dials with white Gorilla Glue, it dries quickly and is clear. I then touched it up with some silver paint and other colours for sliders and switches.



In where it belongs



And the intake ducts



Oh yes and some topcoat

